

CHOCOLATE CASE

SKIPIO

by Turbo air

巧克力柜 | CHOCOLATE CASE



BACK VIEW (后面)



DRAWER (抽屉)



DIGITAL HYGROMETER (电子湿度计)

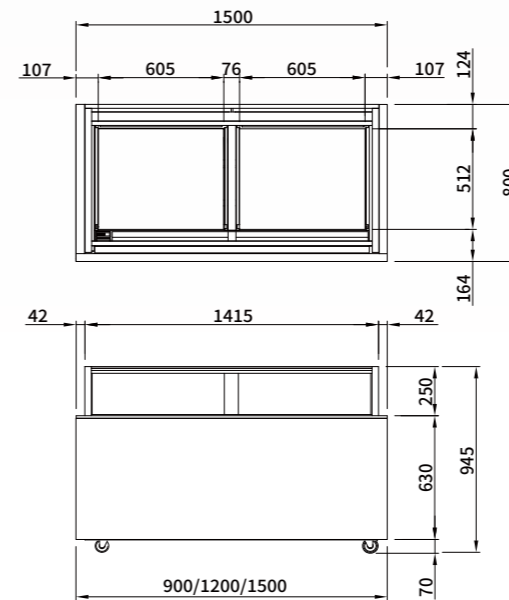


SKIPIO by Turbo air

SCD-1200D



SCD-1500D



FRONT

SIDE

BACK

型号 / MODEL	SCD-900D	SCD-1200D	SCD-1500D
分类 / Classification	冷藏 (Refrigerator)		
外形尺寸 / Cabinet dimension (WxDxH mm)	900 / 1200 / 1500 x 800 x 945		
容量 / Capacity (Liters)	85	108	130
柜内温度 / Inner Temperature	Bakery 1°C~8°C / Chocolate 15°C~18°C (湿度 Humidity 50%±5%)		
门 / Door	抽屉 drawer / 玻璃推拉门 glass sliding		
制冷剂 / Refrigerant	R-134a		
灯 / LAMP	LED lamp		
制冷方式 / Cooling Type	风冷式 (Fan cooling type)		
温度设定方式 / Temperature Control Type	数字控温 (Digital)		
隔热方式 / Insulation Type	整体高密度发泡 (Polyurethane) / 环戊烷 (Cyclopentane) + 不含氯氟烃 (CFC Free)		
电流 / Amps (A)	2.1	2.5	3
电源 / Voltage (V/Hz/Ph)	220V 50Hz		
重量 / Weight (Kg)	160	190	240